

## AXOR Uno

Electronic basin mixer for concealed installation wall-mounted with spout 161 mm

Surfaces: **Chrome** Article Number: **45110000**



### Description

#### product features

- projection 161 mm
- normal spray
- flow rate at 3 bar: 5 l/min
- theft-proof aerator
- temperature adjustable via iBox
- infrared sensor technology
- automatic environmental adjustment of infrared sensor
- adjustable optical range of infrared sensor (5 settings)
- 230 V / 50 Hz mains connection
- manual water stop for washbasin cleaning
- for ideal function please note a minimum distance of 140 mm from the aerators center to the back rim of the wash basin
- TÜV certified
- dirt filters in the connection hoses

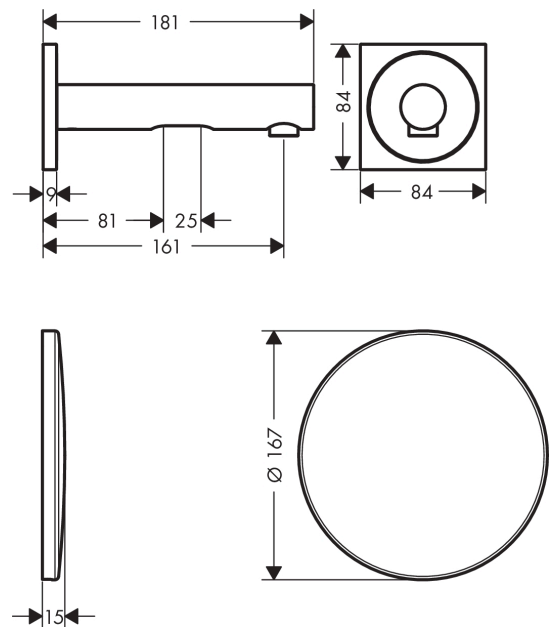
### Technology



### Product image



### Scale drawing



## AXOR Uno

Electronic basin mixer for concealed installation wall-mounted with spout 161 mm

Surfaces: **Chrome** Article Number: **45110000**



### Flowchart

